

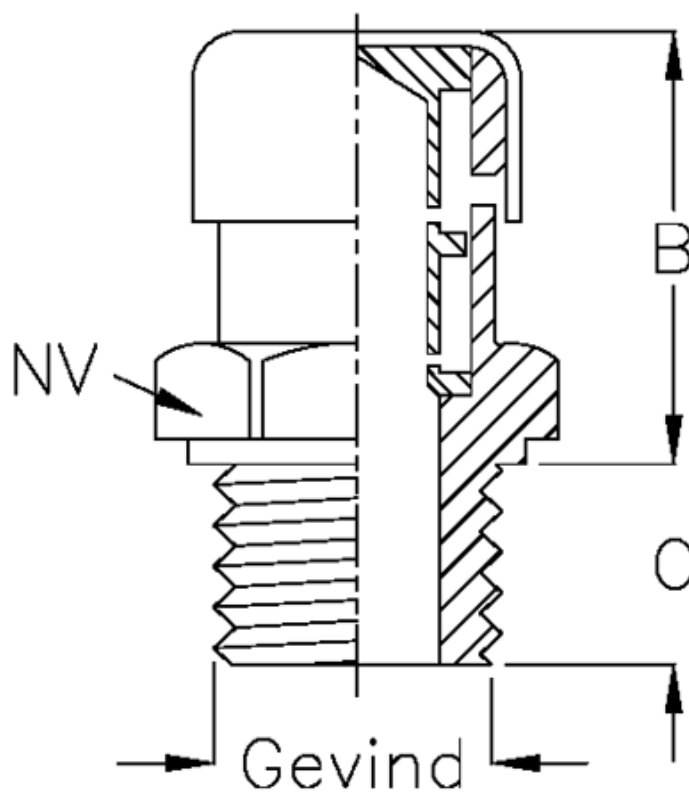
Data Sheet



Article number: 21300698

Description: Breather plug w/labyrinth
Type 30A M10x1

Measures



B = 15
C = 7
NV = 14
Thread = M10x1